

GOANG LIH

GLI
INTERLOCK

High Speed Interlock Knitting Machine



雙面針織機

- Description
- Fabric Type
- Standard Equipment

廣笠機械工業有限公司



DESCRIPTION FOR OUR MACHINE

GLI-D2C2/INTERLOCK (Dial 2 Track, Cylinder 2 Tracks)

The weaving system for GLI-D2C2 Type Knitting Machine included both dial and cylinder that are designed in two tracks which can knit interlock fabrics. Cam holders of this machine are Dial cams 1x1 (knit 1 track, welt 1 track) and Cylinder cams 1x1 (knit 1 track, welt 1 track).

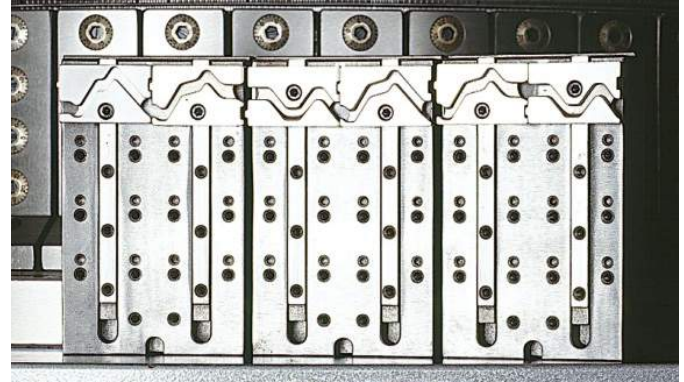
When cams are added onto the machine, it can knit Pique fabrics too. Cam holders of this machine are Dial cams 1-1/3 x 1/2 x 1-1/3 (knit 1-1/3 track, tuck 1/2 track, welt 1-1/3 track) and cylinder cams 1-1/3 x 1/2 x 1-1/3 (knit 1-1/3 track, tuck 1/2 track, welt 1-1/3 track).

FABRIC FEATURES AND TYPE

GLI series can knit plain fabrics, pique fabric, sport cloth and leisure-wear etc. Also using the spandex to knit spandex elastically fabric.

■ Specification List

CYLINDER DIA	30"-44"
GAUGE	16G-32G
R.P.M	15-26
FEEDERS	2F/2.1F/2.4F
MOTOR(HP)	5HP-7.5HP



GLI-D2C4/INTERLOCK (Dial 2 Track, Cylinder 4 Tracks)

The weaving system for GLI-D2C4 Type Knitting Machine dial is designed in two tracks and the cylinder is in four tracks. To meet the customer's requirement, you can add different quantity of cams to weave different fabrics. Cam holders of this machine are Dial cams 1-1/3 x 1/2 x 1-1/3 (knit 1-1/3 track, tuck 1/2 track, welt 1-1/3 track) and Cylinder cams 2-2/3 x 1x 2-2/3 (knit 2-2/3 track, tuck 1 track, welt 2-2/3 track).

For the customer's specific requirements, we can manufacture GLI-D4C4 and GLI-D2C6 interlock knitting machines.



GLR High Speed Rib Knitting Machine

The elasticity of the fabrics produced by the Rib Knitting Machine is excellent. In accordance with the arrangement of the needles, it can weave various products, which is the best material for the manufacturing garment. When adding the spandex, the weaving products will be more elastic.

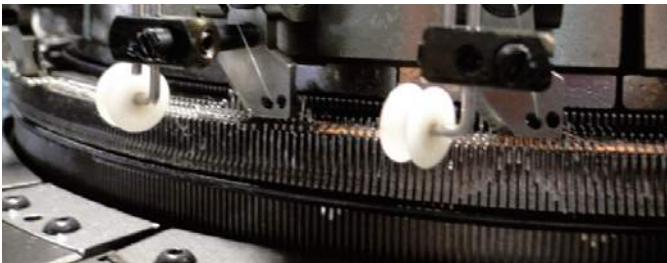
For the customer's requirement, you can choose GLR-1T or a GLR 2-T knitting machine. (Dial 1 track cam & Cylinder 1 track cam, Dial 2 track came & Cylinder 2 track cam).

Baby Size Rib Knitting Machine

Can add the spandex yarn to knit the underwear.

Baby Size Rib Knitting Machine

With the use of two feeders in one cam box, the machine can run more smoothly and it can increase the life of cams.



FABRIC FEATURES AND TYPE

The Rib knitting machine can knit underwear, sport wear...etc. When add the Lycra yarn, it can knit cuff, collars and sport cloth bottoms...etc.

■ Specification List

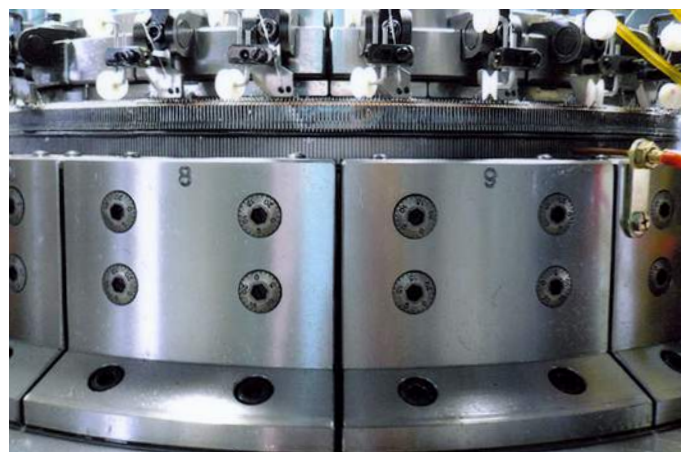
CYLINDER DIA	16"-40"
GAUGE	10G-20G
R.P.M	15-30
FEEDERS	1.6F/1.8F/2F
MOTOR(HP)	5HP-7.5HP

GLN High Speed Net Knitting Machine

GLN knitting machine use Half needle and G.B. Needle to knit ordinary net fabric. It can knit various fabrics and have high production.

FABRIC FEATURES AND TYPE

The Net knitting machine can knit underwear and material for manufacturing garment.



■ Specification List

CYLINDER DIA	30"-40"
GAUGE	13G-15G
R.P.M	15-20
FEEDERS	1.3F/1.4F
MOTOR(HP)	5HP-7.5HP

STANDARD EQUIPMENT AND FEATURES



A1. Interlock Cams and Cam boxes

Cam is made of a high-quality material which was processed through a professional machine. As its high precision, the cam can be used on all machines of the same type, with 100% inter changeability.

All the Interlock machines have a 4-Track cam box. According to product requirements, customer can buy another cams for the 2-Tracks machines to making a 4-Track fabric.

A2. Rib Cams and Cam boxes

Cam is made of a high-quality material which was processed through a professional machine. As its high precision, the cam can be used on all machines of the same type, with 100% interchangeability.

All the Interlock machines have Dial 2-Track and Cylinder 4-Track, while all Rib machines have Dial 2-Track and Cylinder 2-Track cam boxes. Customers can also buy extra cams to use them for GLR-1T machines to GLR-2T machines for the future.

B.Yarn drive system

Positive Feeder System

Using the positive feeder system, you can get a smoother fabric which can increase productivity.

- TAIWAN(standard) ● Lycra Feeder(optional)
- MEMMINGER(optional)

Creel System

Side creel with reserve cone holder can be chosen according to the customers requirement:

- Tube creel ● Aluminous tube creel

Dusting Fan

To avoid breakdowns of Auto-Stop Device or cotton mass wedged in normal fabric caused by flocks of mass accumulation. We use 3 fans on the top section and 2 fans or air compressor to move flocks to the middle section.

C.Automatic Lubrication System

In view of high speed running of this

machine, the Auto Lubrication Device is used to lubricate sinker, needle and cam completely. This also decreases friction forces, which extends durability of the needle and keeps the operation smooth.

- Electronic-TAIWAN ● AIR-TAIWAN
- UNIWAVE – MEMMINGER U.S.A (optional)

D.Transmission System

The main driving device is powered by an AC motor with an inverter. It can be set at various functions and protection measures from the read digits in advance. This leads to a smoother starting of the motor and provides a stable operation.

- MITSUBISHI Inverter - JAPAN
- FUJI Inverter – JAPAN (optional)

E.Cloth Rolling System

This rolling machine adopts changing speed in multiple sections, with dense and even speed, it can roll up fabric in an orderly and solid manner. To match the yardage counter, the machine will stop automatically when the fabrics reach a pre-set length.

- S.D.II Super Density Fabric Rolling Machine
- For spandex fabric, can choose : S.D.II Super Density Fabric Folding & Rolling Machine (optional)

F.Operation System

Control panel uses push buttons that are structurally reliable, easy to change and durable even with prolonged use. It includes 3-shift pre-set counter and R.P.M. meter.

All indicating lamps are centralized so any abnormal issues can be discovered easily. High speed, low speed, stop and no motion push buttons are located on the three-frame pad.

G.Production Capacity

Circular knitting machines produce different fabric weights due to the use of different types of yarn. The machine capacity produced by Goang Lih is as follows to meet buyer needs and increase customer orders.

- RIB: 250KG ~500KG ● INTERLOCK: 200KG ~400KG

COMPANY INTRODUCTION

Goang Lih Machinery Industrial Co., Ltd. was founded in 1979 and has been operating for more than 40 years. Goang Lih believes in providing effective design, quality, control, consistent expertise and satisfactory service for all business activities. Experience is the key to satisfying all customer-specific knitting machines.

Goang Lih has been widely used in many countries, such as the Philippines, Indonesia, Thailand, Malaysia, Pakistan, India, Bangladesh, Egypt and Algeria. Goang Lih is continuing to expand in other countries around the world.

It will be our pleasure to serve you as the best we can. If there is any opportunity we can do for you, please do not be hesitated to contact with us, thank you!

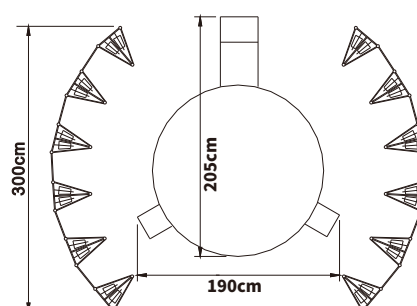
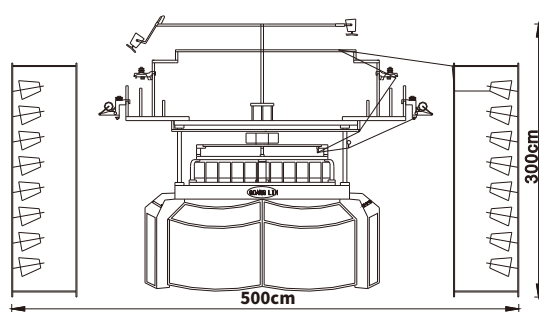
CERTIFICATE



■ Specification List

INTERLOCK MACHINE			
DIAL	Bellow 22G	VOTA 74.50 G05	VO 74.50 G05
	24-28G	VOTA 74.41 G04	VO 74.41 G04
CYLINDER	Bellow 20G	VOTA 122.55 G02	VO 122.55 G01-G03
	22-24G	VOTA 122.48 G02	VO 122.48 G04-G06
	26-28G	VOTA 122.41 G01	VO 122.41 G01-G03
RIB MACHINE		OUTER(1T)	INTER(2T)
DIAL	10-15G	VOTA 75.58 G02	VO 75.58 G02
	16-20G	VOTA 75.45 G05	VO 75.45 G05
CYLINDER	10-15G	VO 95.64 G01	VO 95.64 G02
	16-20G	VO 95.48 G03	VO 95.48 G04

■ Dimensions



GOANG LIH MACHINERY 廣笠機械工業有限公司

桃園市八德區廣福路 879 巷 192 弄 2 號
No. 2, Aly. 192, Ln. 879, Guangfu Rd., Bade Dist.,
Taoyuan City 334, Taiwan (R.O.C.)
TEL:886-3-361-9298 FAX:886-3-361-8907
WWW.GOANGLIH.COM E-mail:goang.lih@msa.hinet.net



GOANG LIH



The Best Technology, Makes Quality Design Products

■ Wooden Case Size

M/C SIZE	LENGTH	WIDTH	HIGH	N.W	G.W
16" - 26"	224CM	190CM	220CM	2200KG	2400KG
28" - 32"	224CM	194CM	220CM	2350KG	2550KG
34"	224CM	198CM	220CM	2400KG	2600KG
36"	228CM	204CM	220CM	2450KG	2650KG
40"	240CM	217CM	220CM	2600KG	2800KG